

ARCH TRANSACTION WINDOW

PART#: TW_ARCH
PRODUCT LINE: WINDOWS

DESCRIPTION

The Arch Transaction Window is an offset glazing system that allows natural sound transmission to flow through bullet-resistant glazing with a 1½" dowel spacing. There are no visual obstructions allowing for clear visibility throughout the window. As opposed to a "Backer", a TSS "Arch" or "Square" window simply means the doweled backer glazing is touching the counter or millwork. This allows for more sound to travel through the system than a hole & backer system. The window can be paired with a plastic laminate or stainless steel counter and deal tray. The arch window is also offered without a TSS supplied counter, and can be attached to an existing counter or millwork.

OPTIONS

- Intended For Interior Purposes
- Available in Clear, Dark Bronze, Custom Paint/Anodizing, Prime Painted Steel, & Stainless Steel
- No Minimum Size Exists and the Maximum Size is Constrained by the Glazing Sheets Available for the Particular Level of Protection Needed
- All TSS Deal Trays are Available on this Unit
- Available in Acrylic, Polycarbonate, & GCP

FRAMING OPTIONS

- Non-Rated Tube & Two Piece Channel
- BL 1.75 (UL Tested at Level 3)
- BL 2.5 (UL Tested at Level 3)
- BL 3.5 (UL Tested at Level 4 & 5)
- BL 4.4 (UL Tested at Level 7 & 8)
- Stainless Steel Non-Rated Tube & Channel
- Prime Painted Steel Non-Rated Tube & Channel

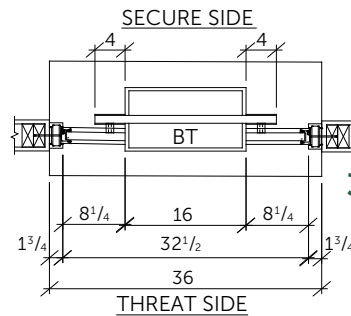
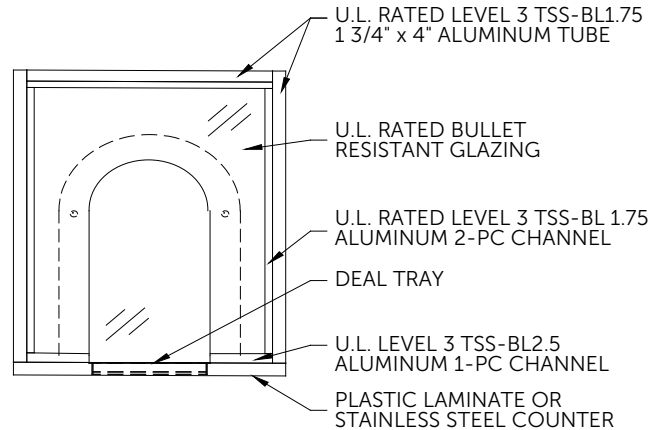
RATINGS

- UL Levels 1-8 Glazing Options Available
- UL Levels 3 BL 1.75 Framing & Channel
- UL Levels 3 BL 2.5 Channel
- UL Levels 4 & 5 BL 3.5 Channel
- UL Levels 7 & 8 BL 4.4 Channel
- UL Levels 4 & 5, 7 & 8 BL 5.5 Framing & Channel

STANDARDS

- Underwriters Laboratory UL 752 Standard for Bullet Resistant Equipment
- ASTM B 209/B 209M Standard Specification for Aluminum and Aluminum Alloy Sheet and Plate

BL 1.75 ARCH WINDOW SHOWN



36" WIDE TRANSACTION WINDOW SHOW

