

HOLLOW METAL FRAME (LEVEL 1-8)

PART#: HMF_L1-L8
PRODUCT LINE: FRAMES

DESCRIPTION

Hollow metal frames are typically used to seal masonry or drywall openings. Because it is nearly impossible to pack the channel opening, channels for hollow metal framing systems are not tested to UL bulletproof standards. They can, however, be reinforced with ballistic fiberglass, or TSS armor plates to achieve a higher level of protection.

OPTIONS

- Glazing 3/4" to 2 1/2" thick
- 14, 16, or 18 gauge
- Prime painted gray finish
- Also available in Stainless Steel

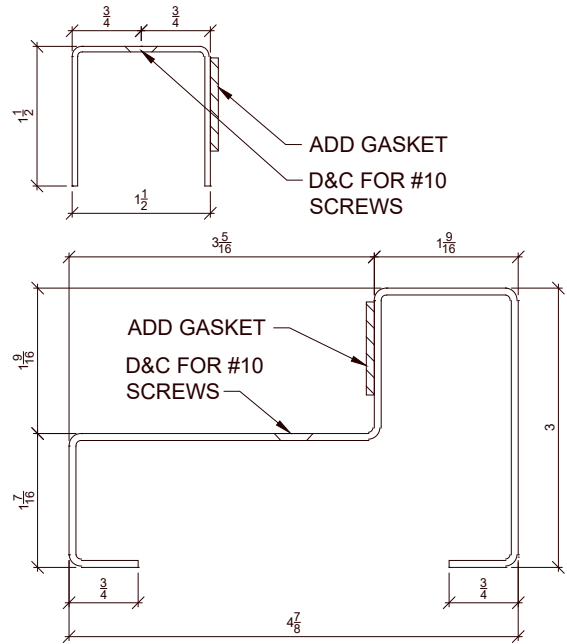
Other custom coating options are available upon inquiry.

RATINGS

- U.L. Level 1-8

STANDARDS

- U.L. 752 Standard for Bullet Resistant Materials
- ASTM A36/A35M-08 Standard Specification for Carbon Structural Steel Shapes, Plates, and Bars of Structural Quality for Use in Riveted, Bolted, or Welded Construction of Bridges and Buildings, and for General Structural Purposes



PROPERTIES & SPECIFICATIONS

Protection	Level 4-8
Ballistic Data	Max Velocity 1: > 2750 ft.s Max Velocity 2: > 3025 ft/s
Material	Cold Rolled CS Type B TP ASTM A1008-16
Yield Strength	201 MPa
Ultimate Tensile Strength	317 MPa
Brinell Hardness	N/A
Rockwell Hardness	42
Pounds per Linear Foot	~3 1/2 lbs/linear foot
Density	7.87 g/cm ³ at 20°C
Spec. Gravity	2.7
Specific Heat	.481 J/g-°C
Elongation at Break	40%
Mod. of Elasticity Torsion	200 x 10 ³ MPa at 20°C