

RATED TWO-PIECE U-CHANNEL FOR FIXED SYSTEM (TUBELESS) (LEVEL 7-8)

PART#: BL4.4
PRODUCT LINE: FRAMES

DESCRIPTION

The TSS BL4.4 Two-Piece Channel is designed to house higher UL Level glazings (UL Levels 7 through 8). This channel system does not require any additional framing and can be applied to an opening. This channel can be used in interior or exterior purposes. The channel itself is UL tested to Level 7 & 8.

OPTIONS

- Glazing 1 1/4" to 2 1/2" thick
- Clear anodized finish
- Dark bronze anodized finish
- Channel is 4 3/8" wide by 1 1/2" tall

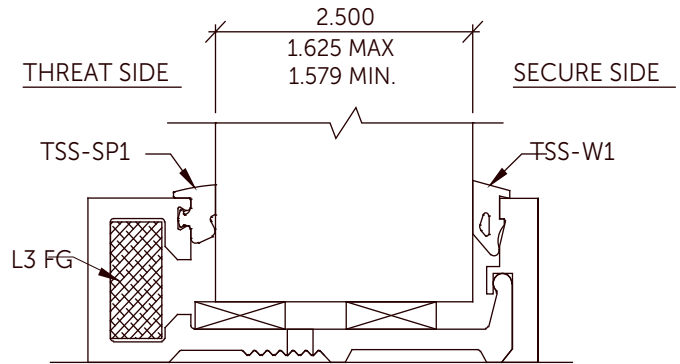
Other custom coating options are available upon inquiry.

RATINGS

- U.L. Level 7-8

STANDARDS

- U.L. 752 Standard for Bullet Resistant Materials
- ASTM B209 Standard Specification for Aluminum and Aluminum-Alloy Sheet and Plate
- ASTM B221 Standard Specification for Aluminum and Aluminum Alloy Extruded Bars, Rods, Wires, Profiles, and Tubes



PROPERTIES & SPECIFICATIONS

Protection	Level 7-8
Ballistic Data	Max Velocity 1: $\geq X$ ft./s Max Velocity 2: $\geq X$ ft./s
Material	6061-T6 alloy/tempered
Yield Strength	40,000 PSI
Ultimate Tensile Strength	45,000 PSI
Brinell Hardness	95
Rockwell Hardness	B60
Pounds per Linear Foot	X lbs/linear foot
Density	0.098 lb/cubic inch
Spec. Gravity	2.7
Melting Point	1090°
Mod. of Elasticity Tension	10
Mod. of Elasticity Torsion	3.8