

**TRANSACTION DOOR (LEVEL 1-8)**

PART#: DOOR\_AND\_FRAME\_ASSEMBLY\_TRANSACTION\_DOOR  
PRODUCT LINE: DOORS

**DESCRIPTION**

The TSS Transaction Door combines the functionality of both an entry way & a service window. Available in UL Levels 1 through 8 & in a wide range of custom sizes. Wood or steel doors are available & can be packaged with a stainless steel or plastic laminate countertop. In addition, a currency tray & voice port may be added to the system. While standard hardware is available, the TSS Transaction Door can accommodate most hardware schedules with 1000s of different hardware preps available.

**OPTIONS**

- Max Size: 3'6" X 10' 0" Door Slab
- Thickness Range: 1 3/4" to 2 3/8" (No Bevel on Steel Door)
- Door Lites Available in Acrylic, Polycarbonate, or GCP
- Intended for Interior Use
- Wood Doors Available with All TSS Aluminum Door Framing
- Wood Doors Available with Veneer or Plastic Laminate
- Available in Hollow Metal Framing (Prime Painted/Stainless Steel with 2" or 4" Header)
- Welded, Knockdown, & Knockdown Adjustable Framing Available
- 16 Ga Prime Painted A1008 CR Available For Steel Door
- Standard Lockset: Schlage ND-80 With ANSI Strike (Custom Cylindrical/Mortise/Exit Device Lockset Prep Available)
- Standard Hardware: LSDA Heavy-Duty Closer(Levels 1 -8), SL11 or SL53 Continuous Hinge (Level 1- 8)

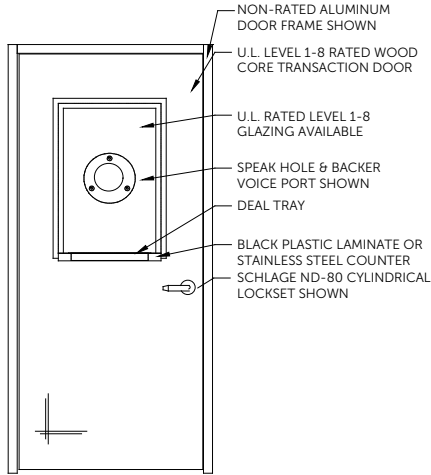
**RATINGS**

- Glazing With U.L. Level 1-8
- Steel or Wood Core With U.L. Level 1-8
- Aluminum Door Framing (Wood Doors) (Levels 1 -8)
- Hollow Metal Frame With Ballistic Inserts (Levels 1 -8)

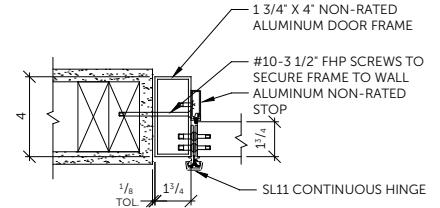
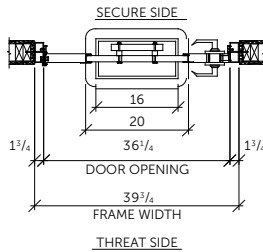
**STANDARDS**

- NSI Z971-1984 Safety Glazing Materials for Building
- ASTM C 1172 Standard Specification for Laminated Architectural Flat Glass
- ASTM 4802 Standard Specification for Poly(Methyl Methacrylate) Acrylic Plastic Sheet
- ASTM A36/A36M-08 Standard Specification for Carbon Steel
- ASTM A 666 Standard Specification for Annealed or Cold-Worked Austenitic Stainless Steel Sheet, Strip, Plate, and Flat Bar
- Underwriters Laboratory 752 Standard for Bullet Resistant Equipment

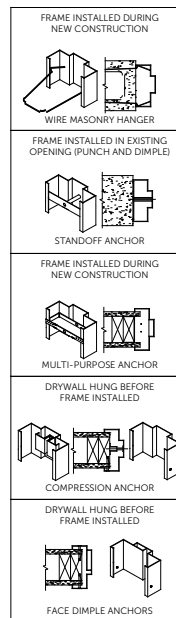
**WOOD DOOR TRANSACTION WINDOW**



\*LEFT HAND REVERSE HINGING SHOWN\*  
35 1/4" DOOR WIDTH SHOWN



**HOLLOW METAL FRAMING OPTIONS**



**STEEL DOOR WITH TRANSACTION WINDOW**

