

**LEVEL 3 ALL GLASS DOOR**

PART#: DOOR\_AND\_FRAME\_ASSEMBLY\_ALL\_GLASS\_DOOR  
PRODUCT LINE: DOORS

**DESCRIPTION**

The TSS Level 3 All Glass Door offers complete transparency with a UL Level 3 protection. Minimizing doorware and framing, The TSS All Glass Door gives the user a full vision look that is ideal for executive offices. Designed for low traffic areas, these doors offer a professional and aesthetic look while also meeting a UL Level 3 ballistic rating.

**OPTIONS**

- Max Size: 3'6" X 9' 0" Door
- 3'0" X 7' 0" Total Door Weight: ~300 Pounds
- Glazing Thickness: 1 1/4"
- Door Lites Available in GCP Only
- Designed for Interior Use
- Designed for 24 - 30 Daily Cycles
- Standard Finishes: Satin Anodized, Black Bronze Anodized, Brushed Stainless (Cladding), Polished Stainless (Cladding)
- Door Rails: 4" Tall Tapered Rails
- Side Lites and Additional Rails Available as Fixed Windows Hardware
- Floor Closer: Jackson 900 Series Heavy Duty
- Overhead Concealed Closer: Jackson 1000 Series Heavy Duty
- Maglocks and Ladder Pull Bars Available
- Doors Not Available with Exit Device/Push Bar

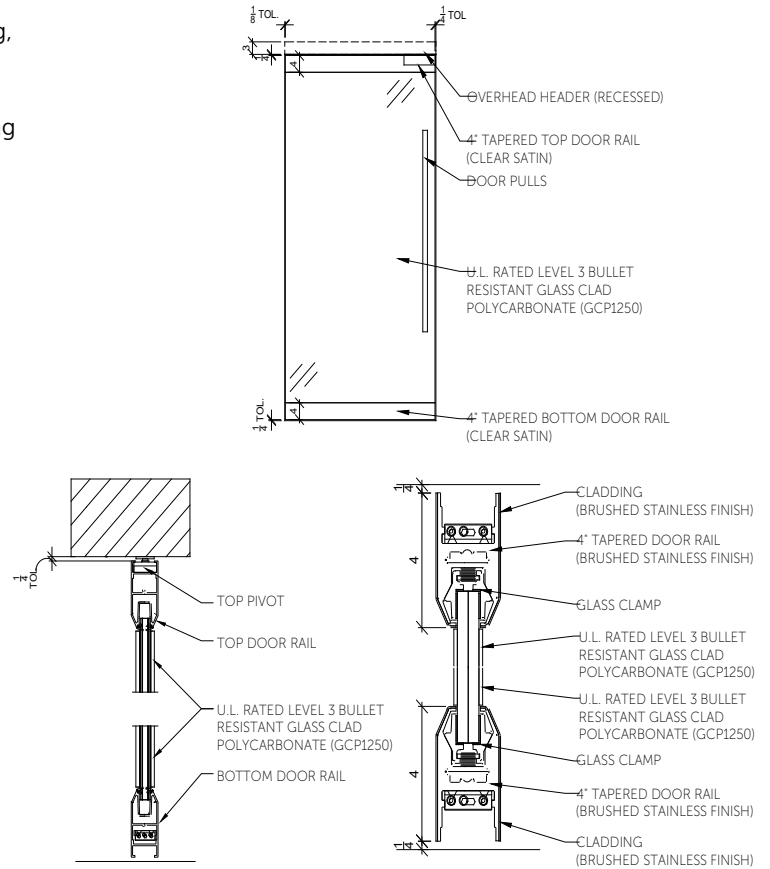
**RATINGS**

- Glazing With U.L. Levels 3

**STANDARDS**

- NSI Z971-1984 Safety Glazing Materials for Building
- ASTM C 1172 Standard Specification for Laminated Architectural Flat Glass
- Underwriters Laboratory 752 Standard for Bullet Resistant Equipment
- ASTM B 209/B 209M Standard Specification for Aluminum and Aluminum Alloy Sheet and Plate

**LEVEL 3 SINGLE ALL GLASS DOOR**



**LEVEL 3 DOUBLE ALL GLASS DOOR**

