

HOLE & BACKER VOICE PORT FOR GLAZING PRODUCTS

PART#: ACC_HOLE_BACKER_VOICE_PORT

PRODUCT LINE: ACCESSORIES

DESCRIPTION

The Hole & Backer Voice Port Accessory packages allows for quality transfer of sound from each side of the ballistic window system. As ballistic glazing is thick, it does not allow sound waves to travel through the system. One way this can be achieved is through the use of a hole & backer system. A smaller hole is applied to the glazing, and an oversize "backer" of glazing plate is attached through the use of dowels, carriage bolts, and chrome caps to the glazing. The oversize of the backer ensures there is no shooting lane created by the opening, while also allowing sound to easily transfer from threat to secure or vice versa. In addition to these properties, the Hole & Backer Accessory provides an fluid and aesthetically pleasing look to any system they are applied to. These accessories use ballistic glazing, and in additiona are UL 752 tested as an assembly.

OPTIONS

- Interior Use Only
- Offered in Acrylic, Polycarbonate, and GCP Up To Level 5 LS
- 1" Spacing From Window to Backer
- Circle Backer Diameter Standard Size: 10"
- Rectangular Backer Standard Size: 10" x 16"
- Arch Backer Standard Size: 10" x 16"

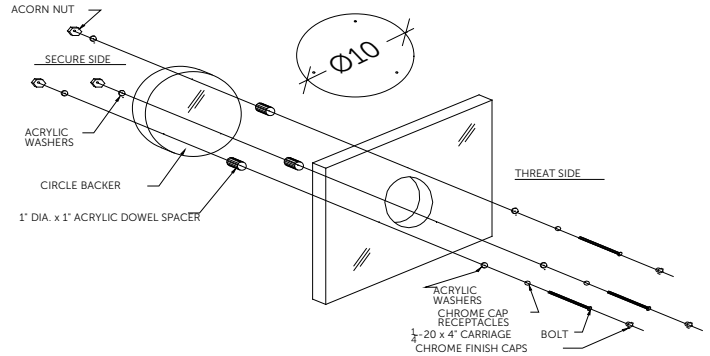
RATINGS

- U.L. Level 1-5 on All Glazing

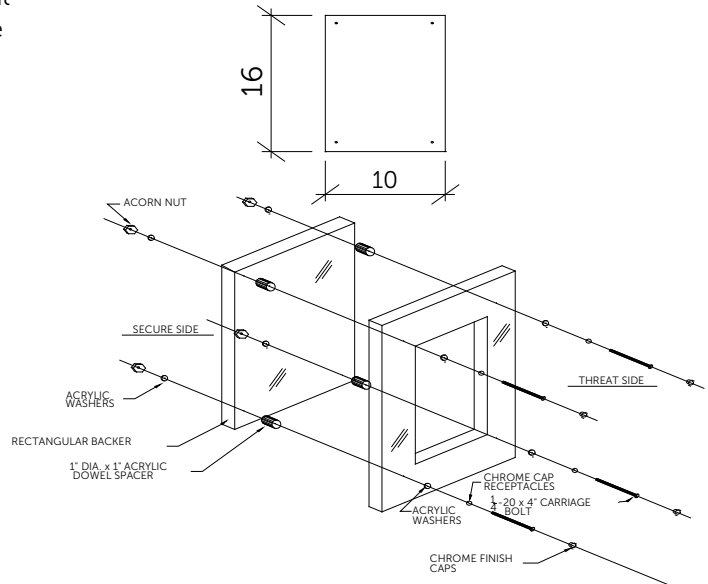
STANDARDS

- Underwriters Laboratory 752 Standard for Bullet Resistant Equipment

STANDARD CIRCLE BACKER



STANDARD RECTANGULAR BACKER



STANDARD ARCH BACKER

